

Exploring Excellence: A Deep Dive into 6202z Bearings Innovation

Introduction

In the realm of engineering and manufacturing, the [6202Z ball bearing](#) stands as a testament to precision and excellence.

As industries continue to evolve, the demand for bearings that not only meet but exceed expectations has become paramount. Innovation plays a central role in this pursuit of excellence. It acts as the driving force behind the continuous enhancement of 6202Z bearings, pushing the boundaries of what is achievable in terms of performance, durability, and adaptability.

The journey into the innovation of 6202Z bearings promises a deep dive into the core features and advancements that set them apart. From their inception to the present day, these bearings have undergone a transformation, aligning themselves with the ever-changing landscape of industrial requirements. This introduction sets the tone for an exploration that goes beyond the surface, unraveling the layers of ingenuity woven into the very fabric of 6202Z ball bearings.



LOYAL INDUSTRIAL PTE. LTD.

Design and Engineering Innovations

Embarking on the journey of 6202Z ball bearings innovation takes us deep into the intricacies of design and engineering. The cutting-edge design elements woven into the fabric of 6202Z bearings play a pivotal role in defining their excellence.

Design Innovations	The design of 6202Z bearings goes beyond the conventional, incorporating cutting-edge features that set them apart in the world of ball bearings. From the selection of materials to the intricacies of geometric design, each element is meticulously crafted to optimize performance. Bold design choices ensure that these bearings not only meet but exceed the expectations of precision and functionality.
Engineering Advancements	At the heart of 6202Z bearings' innovation lies a series of engineering advancements that elevate their performance and durability. The integration of state-of-the-art technologies, coupled with a commitment to precision engineering, results in bearings that can withstand rigorous conditions. Advanced lubrication systems, heat dissipation mechanisms, and load-bearing capacities are just a glimpse into the realm of engineering excellence that defines 6202Z ball bearings.
Meeting Diverse Industrial Needs	The significance of design and engineering innovations extends beyond the realm of technological prowess. These innovations are purposefully aligned to meet the diverse needs of various industries. Whether in heavy machinery, automotive applications, or delicate instruments, 6202Z bearings showcase their adaptability, proving to be versatile solutions in a multitude of industrial settings.

As we delve into the nuances of design and engineering, the excellence of 6202Z bearings becomes palpable. This exploration sets the stage for a profound understanding of how innovative design and engineering are the cornerstones of these precision-crafted ball bearings.

Material and Manufacturing Innovations

In the realm of 6202Z ball bearings innovation, the spotlight shines brightly on the materials and manufacturing processes that form the foundation of excellence. Let's embark on a journey to explore the innovative strides made in this domain.

Innovative Materials:

The heart of any bearing lies in its materials, and 6202Z bearings are no exception. These bearings are crafted from a diverse range of innovative materials, each chosen for its unique properties that enhance performance and durability. From high-grade stainless steel to advanced ceramics, the selection of materials for 6202Z bearings is driven by a quest for excellence. These materials boast properties such as corrosion resistance, high tensile strength, and exceptional wear resistance, ensuring that 6202Z bearings perform optimally even in the most demanding conditions.

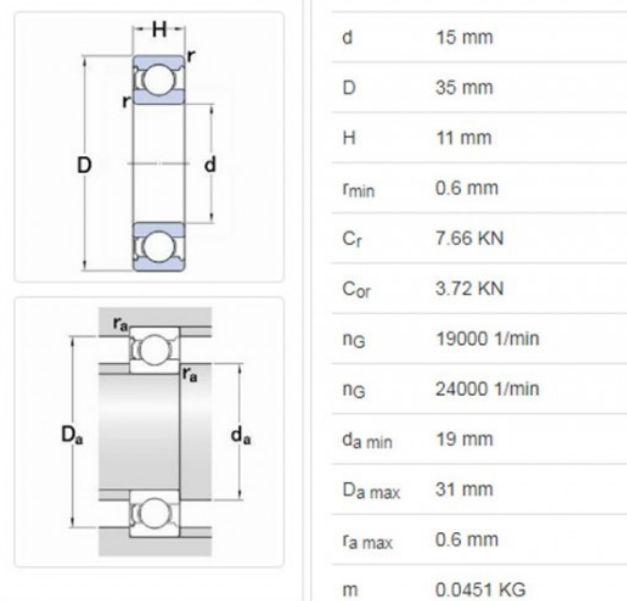
Advanced Manufacturing Techniques:

The journey of innovation continues with the manufacturing processes employed in the production of 6202Z bearings. Advanced manufacturing techniques, including precision machining, heat treatment, and surface finishing, play a crucial role in shaping the quality and precision of these bearings. Each step of the manufacturing process is meticulously executed to ensure that every 6202Z bearing meets stringent quality standards. From CNC machining to automated assembly, every aspect of manufacturing is infused with innovation to deliver bearings of unparalleled quality.

Reliability and Longevity:

The marriage of innovative materials and advanced manufacturing techniques culminates in bearings that are not only reliable but also boast exceptional longevity. The combination of robust materials and precise manufacturing results in bearings that exhibit minimal wear, reduced friction, and extended service life. Whether used in industrial machinery, automotive applications, or precision instruments, 6202Z bearings stand as a testament to the reliability and longevity achieved through material and manufacturing innovations.

As we delve into the realm of materials and manufacturing, the innovative spirit that drives the evolution of 6202Z bearings becomes evident. From the selection of cutting-edge materials to the implementation of advanced manufacturing techniques, excellence permeates every aspect of these precision-crafted ball bearings.



LOYAL INDUSTRIAL PTE. LTD.

#4 Performance and Efficiency Innovations

At the core of 6202Z ball bearing innovation lies a relentless pursuit of performance and efficiency. Let's delve into the innovative features that elevate the performance metrics and efficiency of these bearings to unparalleled heights.

Performance Metrics Enhancement:

Innovation in 6202Z bearings is synonymous with a significant enhancement in performance metrics. These bearings are engineered with advanced features that optimize their performance under diverse operating conditions. One such innovation is the reduction of friction, achieved through the integration of precision-engineered components and specialized lubricants. By minimizing frictional losses, 6202Z bearings exhibit smoother operation, reduced energy consumption, and prolonged service life.

Efficiency Enhancements:

The quest for efficiency drives continuous innovation in 6202Z ball bearings. Manufacturers employ cutting-edge techniques to enhance the efficiency of these bearings, resulting in improved load capacity and reduced energy wastage. Innovations in bearing design, such as optimized ball geometries and raceway profiles, contribute to higher load-carrying capabilities without compromising on compactness or weight. Additionally, innovative sealing mechanisms prevent contaminants from entering the bearing, ensuring long-term efficiency and reliability in various applications.

Real-World Impact:

The impact of performance and efficiency innovations in 6202Z bearings is tangible across a wide range of applications. From industrial machinery to automotive systems, these bearings play a pivotal role in enhancing overall system performance and productivity. Real-world examples abound, showcasing how the adoption of innovative 6202Z bearings has led to reduced downtime, increased productivity, and improved operational efficiency in diverse industrial settings.

In conclusion, the relentless pursuit of performance and efficiency innovations in 6202Z ball bearings underscores their significance in modern engineering and manufacturing. By continuously pushing the boundaries of design and technology, these bearings set new benchmarks for reliability, durability, and overall system efficiency.

Property	SKF 6202Z Ball Bearing	FAG 6202Z Ball Bearing	NTN 6202Z Ball Bearing
Brand	SKF	FAG	NTN

Material	High-quality steel	Chrome steel	Stainless steel
Precision Level	ABEC-3	ABEC-1	ABEC-3
Cage Material	Pressed steel	Steel	Stamped steel
Seal Type	Metal shields	Metal shields	Single metal shield
Lubrication	Grease	Grease	Grease
Operating Temperature	-40°C to 120°C	-30°C to 110°C	-40°C to 120°C
Speed Rating	30,000 RPM	24,000 RPM	28,000 RPM
Load Capacity	Radial and axial loads	Radial loads	Radial loads
Application Focus	General purpose	Industrial machinery	Electric motors

Technological Advancements and Future Trends

Introduction:

Embarking on a journey to explore excellence in the realm of 6202Z ball bearings requires a keen focus on technological advancements and future trends. We will unravel the latest innovations shaping the landscape of 6202Z bearings while delving into the promising trends that are set to define the future of this pivotal technology.

Latest Technological Advancements	Bold innovations continue to propel 6202Z bearings into new frontiers of performance and reliability. Cutting-edge technologies have been seamlessly integrated into the design and manufacturing processes, enhancing the capabilities of these bearings. The utilization of advanced materials, precision engineering techniques, and state-of-the-art lubrication systems stands out as a testament to the commitment to excellence in the 6202Z bearing industry. Boldly addressing challenges such as heat dissipation, load distribution, and overall wear resistance, these technological advancements set a new standard for bearing excellence.
Emerging Trends and Future Prospects	The exploration of excellence in 6202Z bearings extends beyond the present into the exciting realm of emerging trends. From the advent of smart bearings with embedded sensors for real-time monitoring to the incorporation of sustainable and eco-friendly materials, the future of 6202Z bearings holds the promise of unprecedented innovation. As industries evolve, the demand for bearings that can adapt to diverse environmental conditions, provide predictive maintenance insights, and contribute to overall system efficiency is on the rise. These emerging trends herald a new era in bearing technology, fostering a symbiotic relationship between cutting-edge innovation and sustainable practices.
Potential Impact on Future Development	The technological landscape and emerging trends discussed herein are not mere glimpses into the future; they are catalysts for the evolution of 6202Z bearing technology. As these advancements and trends gain momentum, their potential impact on future development is profound. Industries relying

on precision engineering and reliable mechanical components are poised to benefit from bearings that not only meet current demands but also anticipate and adapt to future challenges. The seamless integration of technology into bearing design ensures that 6202Z bearings will continue to play a pivotal role in enhancing efficiency, reducing downtime, and contributing to the overall advancement of various sectors.

Conclusion:

In this exploration of technological advancements and future trends, it becomes evident that the excellence in 6202Z bearings is an ever-evolving journey. The symbiosis of cutting-edge technology and a forward-looking mindset ensures that these bearings will remain at the forefront of innovation, continuously exceeding expectations in performance, durability, and adaptability. As industries continue to push the boundaries of what's possible, 6202Z bearings stand as a testament to the relentless pursuit of excellence in engineering and innovation.



LOYAL INDUSTRIAL PTE. LTD.

Conclusion: The Path of Innovation in 6202Z Bearings

Introduction:

Embarking on the deep dive into 6202Z bearings innovation has been a journey through the intricacies of precision engineering, cutting-edge design, and the ever-evolving technological landscape. The path of innovation in 6202Z bearings unfolds with profound insights into the present and future of this critical component in various industries.

We have delved into the heart of 6202Z bearings, uncovering the innovative features that define their excellence. From the meticulous design elements to the advanced materials and manufacturing processes, each facet contributes to the superior performance and reliability of 6202Z bearings. The reduction in friction, enhanced load capacity, and the integration of smart technologies are but a few highlights in the rich tapestry of innovations that shape the landscape of these bearings.

Reflecting on Continuous Innovation:

The significance of continuous innovation cannot be overstated in the realm of 6202Z bearings. As industries evolve and challenges morph, the ability to adapt and innovate becomes paramount. Reflecting on the exploration, it becomes evident that the path of innovation is an ongoing journey. It is a commitment to staying ahead of the curve, anticipating industry needs, and delivering solutions that transcend expectations. Continuous innovation not only ensures the relevance of 6202Z bearings but also positions them as cornerstones in the ever-changing world of machinery and engineering.

Emphasizing the Role of Innovation:

The path of innovation in 6202Z bearings plays a pivotal role in the global market. As industries seek components that offer reliability, efficiency, and adaptability, the innovative features of 6202Z bearings shine. Emphasizing this role underscores their contribution to the growth and advancement of industries worldwide. Whether in manufacturing, automotive, or other sectors, the innovation in 6202Z bearings sets a standard that resonates with the demands of modern engineering.

Conclusion:

In conclusion, the deep dive into 6202Z bearings innovation has been a voyage into the future of precision engineering. The path illuminated by cutting-edge design, advanced materials, and continuous innovation showcases the resilience and adaptability of 6202Z bearings. As we conclude this exploration, it becomes evident that the excellence in 6202Z bearings is not a destination but an ongoing commitment to pioneering the next era of engineering marvels. The journey of innovation in 6202Z bearings is a testament to the indomitable spirit of progress and the unyielding pursuit of excellence in the field of ball bearings.

FAQs: Common Questions About 6202Z

Introduction to Common Queries:

Embarking on the exploration of 6202Z bearings leads us to address common questions that arise in the minds of enthusiasts, engineers, and industry professionals. We provide insightful answers to frequently asked questions about 6202Z bearings, shedding light on their intricacies and applications.

What Sets 6202Z Bearings Apart?

6202Z bearings stand out due to their precision engineering and innovative features. The "Z" in 6202Z signifies a shielded bearing, offering protection against contaminants. This distinguishes them in applications where maintaining a clean operating environment is crucial.

Where are 6202Z Bearings Commonly Used?

6202Z bearings find widespread application across various industries. From automotive systems and industrial machinery to household appliances, their versatility makes them integral components in systems requiring reliable rotation and reduced friction.

How Do Design Innovations Enhance Performance?

The design innovations in 6202Z bearings contribute significantly to their performance. Features such as advanced raceway profiles, optimized ball geometries, and precision manufacturing techniques reduce friction, resulting in smoother operation and increased efficiency.

Are 6202Z Bearings Suitable for High-Speed Applications?

Yes, 6202Z bearings are well-suited for high-speed applications. The precision engineering and quality materials enable them to withstand elevated rotational speeds, making them ideal for use in machinery and systems requiring rapid motion.

What Materials Constitute 6202Z Bearings?

6202Z bearings are crafted from high-quality materials, often including chrome steel or stainless steel for enhanced durability. The choice of materials ensures resistance to corrosion and the ability to withstand varying environmental conditions.

How Can I Ensure Proper Lubrication for 6202Z Bearings?

Proper lubrication is essential for the optimal performance and longevity of 6202Z bearings. Users should adhere to manufacturer recommendations regarding lubrication intervals and use suitable lubricants to minimize friction and wear.

What Future Trends Can We Expect in 6202Z Bearing Technology?

The future of 6202Z bearings holds exciting possibilities. Anticipated trends include the integration of smart technologies for condition monitoring, further advancements in material science, and continuous efforts to enhance energy efficiency in bearing applications.

Conclusion: Navigating the Landscape of 6202Z Bearings Knowledge

In conclusion, addressing frequently asked questions provides a comprehensive overview of 6202Z bearings. As we navigate the landscape of knowledge surrounding these bearings, it becomes evident that their significance extends beyond mere components – they are enablers of innovation, efficiency, and reliability in diverse applications. The exploration of common queries serves as a gateway to a deeper understanding of 6202Z bearings and their pivotal role in the world of engineering and machinery.