

The Power of Single Row Full Complement Cylindrical Roller Bearings in Modern Machinery

1 Introduction

Bearings have long been the unsung heroes of modern machinery, silently enabling the smooth operation of various industrial applications.

The Significance of Bearings in Machinery

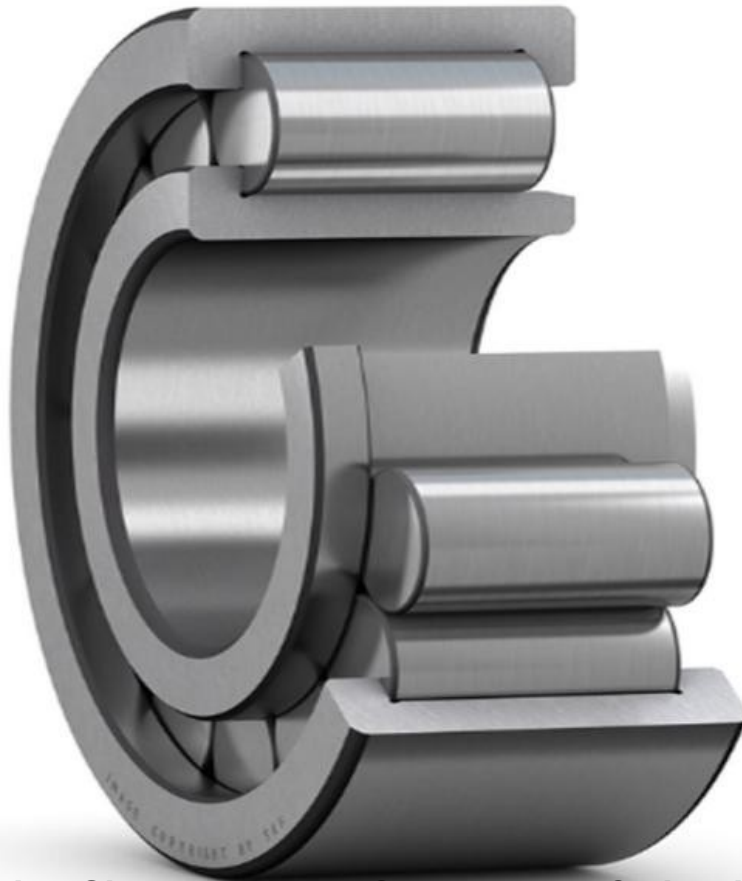
Before we explore the unique characteristics and advantages of single row full complement [cylindrical roller bearings](#), it is essential to understand the broader context of their importance. Bearings serve as essential components in machinery, enabling the controlled movement of rotating or linear parts. Without them, the friction generated by moving parts would lead to excessive wear and tear, reduced efficiency, and increased energy consumption. Bearings, in essence, provide the foundation for the smooth functioning of machinery across various industries.

Introducing Single Row Full Complement Cylindrical Roller Bearings

Now, let's turn our attention to the star of this discussion - single row full complement cylindrical roller bearings. These bearings are a specialized type of roller bearing designed to handle high radial loads and operate with minimal friction. They are part of the broader family of cylindrical roller bearings, but what sets them apart is their full complement of rollers. Unlike standard cylindrical roller bearings that feature a cage to separate the rollers, single row full complement cylindrical roller bearings maximize load capacity by utilizing a complete set of rollers.

Empowering Modern Machinery

As we embark on this exploration, it's important to note that the power of single row full complement cylindrical roller bearings lies in their ability to empower modern machinery. These bearings offer unique advantages that translate into improved performance, reduced maintenance, and increased longevity for equipment.



2 Understanding Single Row Full Complement Cylindrical Roller Bearings

We will delve deeper into the world of single row full complement cylindrical roller bearings, gaining a comprehensive understanding of their features, advantages, and design elements that make them a force to be reckoned with in modern machinery.

Defining Single Row Full Complement Cylindrical Roller Bearings

To comprehend the significance of these bearings, it's crucial to start with a clear definition. Single row full complement cylindrical roller bearings belong to the cylindrical roller bearing family, known for their ability to handle high radial loads. What sets them apart is their unique design, characterized by the absence of a cage or separator between the rollers. Instead, they employ a complete set of cylindrical rollers, allowing for maximum load-carrying capacity and exceptional performance.

Key Features:

- Full Complement of Rollers: Unlike standard cylindrical roller bearings, which incorporate a cage to separate the rollers, single row full complement bearings utilize all available space for rollers, maximizing load capacity.

- High Radial Load Capacity: Thanks to their design, these bearings excel in carrying heavy radial loads, making them ideal for applications where the load is primarily radial, such as in heavy machinery and industrial equipment.

- Minimal Friction: The absence of a cage results in reduced friction among rollers, contributing to smoother and more efficient operation.

Advantages Over Other Bearings

One of the fundamental questions surrounding these bearings is, "What advantages do they offer compared to other types?" The answer lies in their unique features.

Enhanced Load Capacity	Single row full complement cylindrical roller bearings are engineered for high radial load capacity. By utilizing the maximum number of rollers, they distribute loads more evenly, reducing stress on individual rollers and enhancing overall load-bearing capabilities.
Reduced Friction	The absence of a cage means that these bearings experience lower friction between rollers. This characteristic not only minimizes energy consumption but also leads to decreased heat generation, contributing to extended bearing life.
Improved Stability	The design of these bearings promotes stability, making them particularly suitable for applications where precision and consistent performance are vital. Reduced vibration and minimal deflection ensure machines operate smoothly.
Longer Lifespan	With their ability to handle heavy loads while maintaining low friction, single row full complement cylindrical roller bearings are known for their durability and extended lifespan, reducing maintenance and replacement costs.

Design Considerations

To harness the full potential of these bearings, it's essential to consider specific design aspects. Proper selection and installation are key to maximizing their benefits. Factors to keep in mind include bearing materials, lubrication, and alignment, among others.

Their unique design, enhanced load capacity, reduced friction, and exceptional stability make them an indispensable component in modern machinery.

3 Applications and Industries

Single row full complement cylindrical roller bearings have found their way into an extensive array of industries and applications, demonstrating their versatility and effectiveness.

Diverse Range of Industries

The adoption of single row full complement cylindrical roller bearings spans across a multitude of industries, each benefiting from the unique advantages these bearings offer.

Heavy Machinery and Construction	In the realm of heavy machinery and construction equipment, where robust load-bearing capabilities are paramount, these bearings shine. From excavators to bulldozers, they ensure smooth operation under the most demanding conditions.
Manufacturing and Automation	In manufacturing and industrial automation, precision and reliability are essential. These bearings provide the stability required for conveyor systems, robotic arms, and assembly line equipment, contributing to increased productivity.
Agriculture	In the agricultural sector, where machinery operates in varying terrains and conditions, single row full complement cylindrical roller bearings support critical components like tractor wheels, ensuring consistent performance in the field.
Automotive	In the automotive industry, these bearings play a crucial role in transmissions and wheel hubs, enhancing vehicle efficiency and safety. Their ability to handle heavy loads and reduce friction is especially valuable.
Aerospace	Even in the aerospace sector, where lightweight and high-performance materials are paramount, these bearings find application in aircraft landing gear, engines, and other critical systems.

Real-World Examples and Case Studies

To underscore the effectiveness of these bearings, let's delve into some real-world examples and case studies:

Case Study 1: Mining Industry

In the mining industry, where equipment operates in harsh conditions and handles enormous loads, single row full complement cylindrical roller bearings have proven their mettle. A prominent mining company reported a significant reduction in downtime and maintenance costs after transitioning to these bearings in their crushing equipment. The result was increased production efficiency and a substantial return on investment.

Case Study 2: Food Processing

In the food processing industry, hygiene and reliability are paramount. A food processing plant incorporated these bearings into their conveyor systems. The result was not only enhanced load capacity but also improved sanitation due to reduced heat generation and lubrication requirements.

Enhancing Machinery Performance

The success stories and diverse industry applications showcased here illustrate the undeniable impact of single row full complement cylindrical roller bearings on machinery performance. They offer increased load capacity, reduced maintenance, and prolonged lifespan, making them an indispensable component in the modern industrial landscape.

4 Benefits and Advantages

Single row full complement cylindrical roller bearings have firmly established themselves as a powerhouse in modern machinery, and it's no coincidence.

Enhanced Load Capacity

One of the standout features of single row full complement cylindrical roller bearings is their remarkable load-carrying capacity. By employing a complete set of cylindrical rollers without the hindrance of a cage, these

bearings distribute loads more evenly, reducing stress on individual rollers. This design results in a substantial increase in load capacity, allowing machinery to handle heavier loads and operate with greater reliability.

Reduced Friction

Friction is the arch-nemesis of efficient machinery. Single row full complement cylindrical roller bearings are designed to combat this foe. With the absence of a cage, there is less friction among the rollers, resulting in smoother and more efficient operation. Reduced friction not only enhances machinery performance but also contributes to extended bearing life.

Improved Efficiency

Efficiency is a prized trait in the world of machinery. These bearings, with their ability to handle heavy loads while maintaining low friction, make machines more energy-efficient. Reduced energy consumption not only benefits the environment but also translates into cost savings for businesses.

Testimonials and Success Stories

The true testament to the prowess of these bearings lies in the success stories of companies that have integrated them into their machinery. Let's explore a couple of such stories:

Testimonial 1: Manufacturing Giant

A prominent manufacturing company, facing challenges with their conveyor systems, made the switch to single row full complement cylindrical roller bearings. The results were impressive – increased load capacity led to higher throughput, reduced downtime, and ultimately, improved profitability.

Testimonial 2: Automotive Innovation

In the automotive industry, a leading manufacturer of transmissions integrated these bearings into their production line. The outcome was twofold – enhanced load-carrying capabilities and a significant reduction in maintenance costs. This not only boosted the quality of their transmissions but also solidified their reputation for reliability.

Single row full complement cylindrical roller bearings bring a multitude of benefits and advantages to modern

machinery. Their enhanced load capacity, reduced friction, and improved efficiency make them a game-changer across various industries.

5 Technical Considerations

In our exploration of the power of single row full complement cylindrical roller bearings in modern machinery, it's crucial to delve into the technical aspects that ensure their exceptional performance. Understanding the intricacies of these bearings is essential for making the most out of their capabilities.

Bearing Materials

The choice of materials for these bearings plays a pivotal role in their longevity and effectiveness. High-quality bearing materials are paramount to withstand heavy loads and demanding operating conditions. Typically, single row full complement cylindrical roller bearings are constructed using premium materials like chrome steel or stainless steel. These materials offer excellent corrosion resistance and durability, ensuring a prolonged bearing life.

Lubrication and Maintenance

Proper lubrication is the lifeblood of any bearing, and these cylindrical roller bearings are no exception. Adequate lubrication reduces friction, dissipates heat, and prevents premature wear and tear. Regular maintenance schedules should include lubrication checks to ensure optimal performance.

When it comes to lubrication, consider the following factors:

- Choice of lubricant: Selecting the right type and grade of lubricant is crucial for efficient operation. Consult the bearing manufacturer's recommendations for the best results.
- Lubrication intervals: Establish a routine for lubrication based on the bearing's application and operating conditions.
- Quantity of lubricant: Ensure the bearing is adequately lubricated but avoid over-greasing, which can lead to increased friction and higher operating temperatures.

Installation and Handling

Even the most robust bearings can fail prematurely if not installed and handled correctly. Proper installation

procedures are essential to avoid misalignment, excessive preload, or uneven loading. Here are some key considerations:

- Alignment: Ensure accurate alignment of shafts and housing to prevent unnecessary stresses on the bearing.
- Preload: Proper preload adjustment is crucial for preventing excessive heat generation and ensuring uniform load distribution.
- Handling: Handle bearings with care, and always follow the manufacturer's guidelines to prevent damage during installation.

Technical Support and Expertise

When in doubt or when dealing with specialized applications, it's advisable to seek technical support from bearing manufacturers or experts. They can provide guidance on selecting the right bearing type, size, and materials for your specific needs. This extra layer of expertise can make a significant difference in maximizing the performance and lifespan of single row full complement cylindrical roller bearings.

Understanding the technical considerations surrounding single row full complement cylindrical roller bearings is essential for harnessing their power in modern machinery. By selecting the right materials, ensuring proper lubrication and maintenance, and following precise installation procedures, these bearings can truly shine in enhancing machinery performance and reliability.



6 Conclusion

In conclusion, the power of single row full complement cylindrical roller bearings in modern machinery is undeniable. These remarkable bearings have revolutionized the way machinery operates across a diverse range of industries and applications. Let's recap the key takeaways from this article to reinforce their significance.

Exceptional Load Capacity: Single row full complement cylindrical roller bearings are engineered to handle high radial loads with ease. Their unique design, featuring a maximum complement of rollers, ensures that they can carry substantial loads while maintaining stable and reliable performance.

Reduced Friction: These bearings are designed to minimize friction, which leads to reduced heat generation and improved efficiency. Lower friction levels also contribute to extended bearing life and less maintenance, making them a cost-effective choice.

Versatility: One of the standout features of these bearings is their versatility. They can be found in various

industries, including automotive, aerospace, construction, and more. Their ability to adapt to different applications and conditions makes them an indispensable component in modern machinery.

Enhanced Performance: By choosing single row full complement cylindrical roller bearings, machinery manufacturers and operators can expect improved performance across the board. Enhanced load-carrying capacity, reduced friction, and extended service life all contribute to the overall efficiency and reliability of machinery.

Technical Considerations: To make the most of these bearings, it's crucial to consider technical aspects such as bearing materials, lubrication, maintenance, and proper handling. Adhering to best practices in these areas ensures optimal performance.

In today's fast-paced industrial landscape, the demand for machinery that can deliver top-tier performance and reliability is higher than ever. Single row full complement cylindrical roller bearings have emerged as a game-changer, offering the means to meet and exceed these expectations.

Their ability to handle heavy loads, reduce friction, and adapt to various conditions has made them an essential component in the machinery that drives our modern world. As we look to the future, it's clear that the power of these bearings will continue to drive innovation and excellence in machinery design and operation.

Whether you're involved in manufacturing, construction, transportation, or any other industry that relies on machinery, embracing the capabilities of single row full complement cylindrical roller bearings is a step toward achieving optimal performance and staying ahead in the competitive landscape of modern machinery.

In conclusion, the power of these bearings is not to be underestimated, and their role in modern machinery is pivotal. It's a testament to human ingenuity and engineering excellence, and it ensures that our machinery can operate at the highest levels of efficiency and reliability, meeting the demands of today's dynamic world.

7 FAQs: Common Questions About Single Row Full Complement Cylindrical Roller Bearings

As we wrap up our exploration of single row full complement cylindrical roller bearings and their remarkable role in modern machinery, let's address some common questions that frequently arise regarding these bearings. Understanding these FAQs will provide further insights into their application and advantages.

Q1: What distinguishes single row full complement cylindrical roller bearings from other types of bearings?

A1: Single row full complement cylindrical roller bearings stand out due to their unique design, featuring a maximum complement of rollers without a cage. This design allows them to accommodate exceptionally high radial loads and provides increased stiffness and load-carrying capacity compared to other bearings.

Q2: Where are single row full complement cylindrical roller bearings commonly used?

A2: These bearings find application in various industries and machinery types, including heavy machinery, construction equipment, wind turbines, and more. Their adaptability to handle heavy loads and resist shock loads makes them suitable for demanding environments.

Q3: How do I ensure proper lubrication for these bearings?

A3: Lubrication is crucial for bearing longevity and performance. It's recommended to follow manufacturer guidelines for lubrication intervals and types. Factors such as bearing speed, load, and operating conditions influence lubrication requirements. Regular maintenance checks are essential to ensure proper lubrication.

Q4: Are there any limitations or considerations when using single row full complement cylindrical roller bearings?

A4: While these bearings offer numerous advantages, it's essential to consider factors such as heat generation due to friction, potential wear, and proper handling during installation and maintenance. Proper alignment and load distribution are also critical for optimal performance.

Q5: Can these bearings replace other bearing types in existing machinery?

A5: Depending on the specific machinery and application, it may be possible to replace existing bearings with single row full complement cylindrical roller bearings. However, a thorough analysis and consultation with bearing experts are recommended to ensure compatibility and performance improvements.

In summary, single row full complement cylindrical roller bearings are a powerful and versatile solution for modern machinery. They offer exceptional load-carrying capacity, reduced friction, and adaptability to various industries. Understanding their unique characteristics and addressing common questions can empower machinery operators and manufacturers to make informed decisions and harness the full potential of these bearings.